

## Transfer of Thermal Energy – 2022 June O Level 5054

1. **June/2022/Paper\_11/No.13**

A building has walls made from wood and steel.

What describes the way in which thermal energy is transferred through the walls?

- A conduction through the wood by movement of molecules through the wood only
- B conduction through the metal by both the vibration of particles and movement of electrons through the steel
- C conduction through the wood by both the vibration and movement of molecules through the wood
- D convection through the metal by movement of electrons through the steel only

2. **June/2022/Paper\_12/No.16**

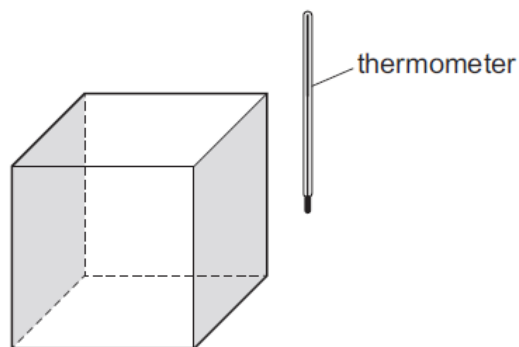
How is heat energy transferred through the vacuum of space from the Sun to the Moon's surface?

- A conduction only
- B convection only
- C radiation only
- D conduction, convection and radiation

3. **June/2022/Paper\_12/No.17**

A metal cube contains boiling water.

Each vertical face of the cube is painted a different colour or has a different texture.



Identical thermometers are held at equal distances from each vertical face.

Near which face does a thermometer read the greatest temperature?

- A dull black
- B dull white
- C shiny black
- D shiny white